

PaxGo Series

Intelligent Packing Filler



Making the World Measurable Linking Your Smart Life



PaxGo Series Intelligent Packing filler — an intelligent is widely used for granule packing.

PaxGo Series

Intelligent Packing Filler



Easy
Operation



Automated
Control



Accurate
Weighing



High
Efficiency

PaxGo is an automatic weigh filler its self-optimizing controls can be precisely configured to your specific material flow, speed and accuracy requirements.

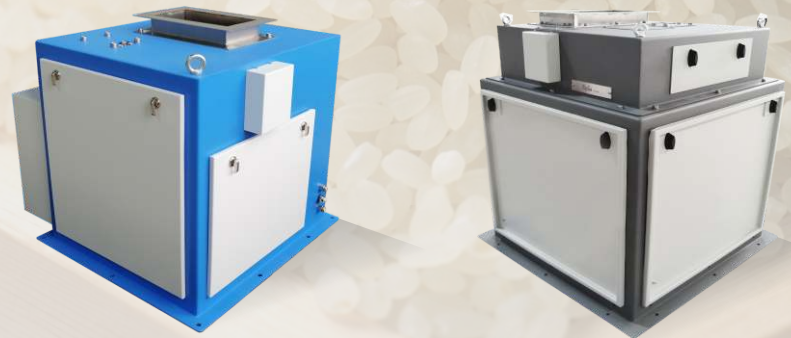
Features:

- Specially designed for granular products like Rice, Pulses, Plastic Granules, Animal Feed, Maize, Soybeans, Seeds, sugar and other granular material;
- Equipped with self optimizing intelligent program for high speed operation;
- Accuracy range $\pm 2g$;
- Models available in 0.25-5kg, 0.5-10kg, 5-25kg, 10-50kg;
- Speeds up to 16 Bags per minute.



Industrial Design

Special design for industrial application, high speed and accuracy.



User-friendly Design

- The food contacting materials are all made of S304 stainless steel and can be used for food packaging;
- International premium brand components ensure the product quality.



Communication interface

- Dual serial port RS232/RS485;
- Standard Ethernet port;
- Modbus TCP/IP;
- 4G/5G Communication (Optional).



Module Design

Easy installation and dismantling for washing down.



Servo Motor

For feeding control achieves intelligent auto adjustment fast and accurately.



USB

Embedded USB for exporting data conveniently and system upgrading.



User-friendly design

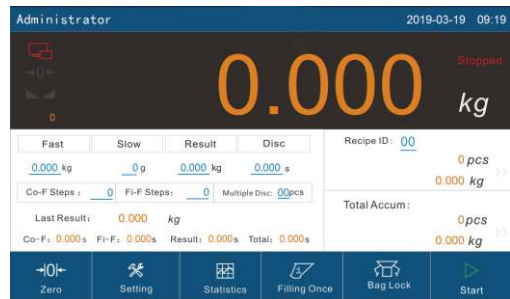
10-inch color user friendly touch screen and graphical design interface. Simple operation without professional training.



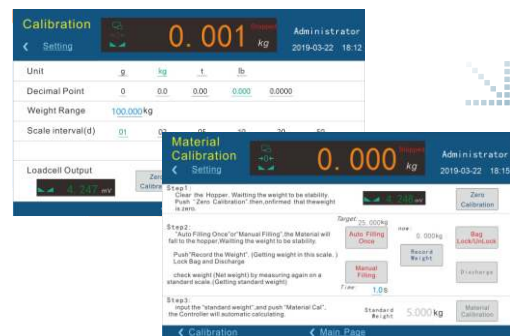
- Parameter interface optimization and upgrade



- Observing data changes when setting parameters, which is simultaneous and intuitive.



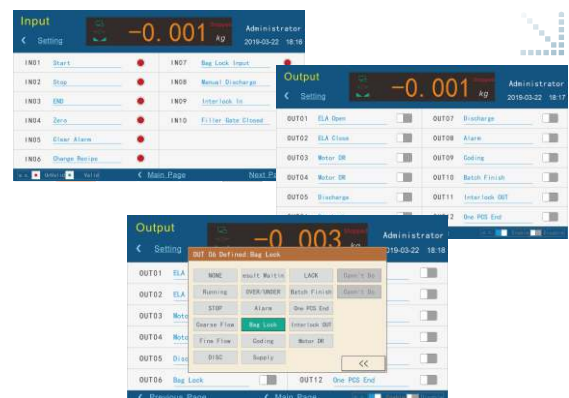
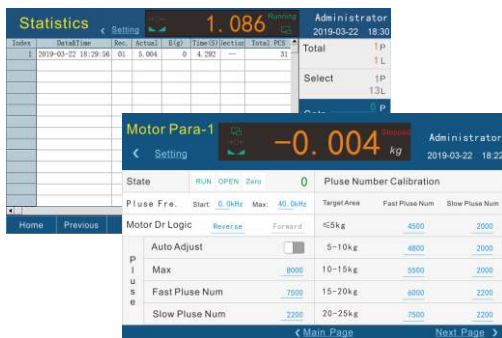
- Calibration according to different materials with step hints to make the field calibration more convenient.



Well-organized data management

- All definitions of each port can be intuitively selected.

- Motor parameters: an interface can simultaneously display the motor status and parameters which is easy to debug.



GRANULE PACKING FILLER AF-50K



10-50kg

Weighing range



Stable Performance



Easy Installation

±20g

Accuracy



Servo Motor Control



Weighing Accurate

800+ Pcs/h

Speed

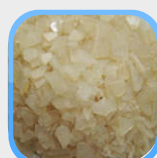
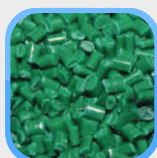
Features:

- **Granular material:** design for big bag packing machine for plastic particles, rice, sugar and other granular material;
- **Easy dismantling:** module design of measuring hopper for easy cleaning;
- **Parameter setting:** self-adjust function with target value set only;
- **Stable performance:** servo motor controls feeding process;
- **Weighing accurate:** weighing range is 10-50kg. Speed can reach 800pcs/h and accuracy is ±20g.

Optional:



User-friendly interface design, vivid display, easy to operate.



Specification

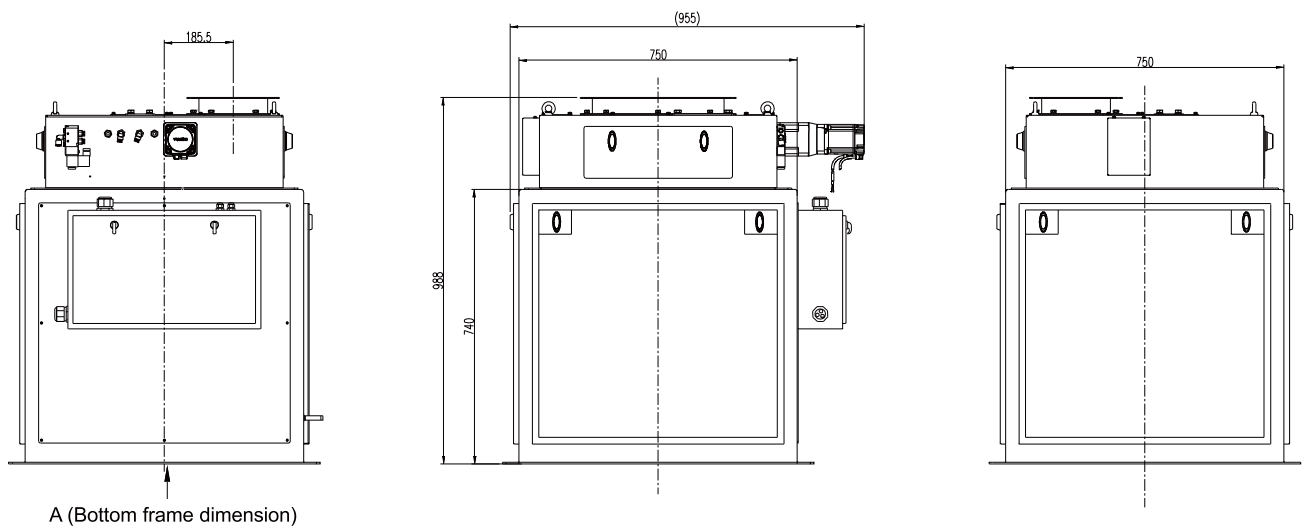
Model	PaxGo AF-50K
Weighing range	10~50Kg
Division	1g
Accuracy *	±20 g
Speed *	Max.800pcs/h
Volume	86L
Feeding method	Feeding control by servo, pneumatic discharging
Material	SS304, carbon steel
I/O	8 output(5V), 8 input(24V)
Communication	RS485, Modbus TCP/IP
Pneumatic	0.4~0.6MPa
Power	Single Phase AC-220V ±10%, 50/60HZ
Working environment	0~40°C, 90%R.H condensation is not allowed

* Testing material: plastic particle, speed: 780pcs/h, accuracy: ±20 g

* Normally, the diameter of the testing material 1-5mm.

Structure & Dimension

Unit: mm



GRANULE PACKING FILLER AF-25K



5-25kg
Weighing range

± 10g
Accuracy

900+ Pcs/h
Speed



Stable Performance



Easy Installation



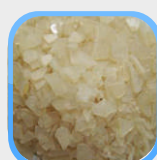
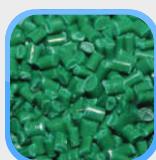
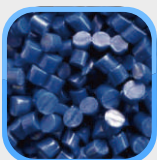
Servo Motor Control



Weighing Accurate

Features:

- **Granular material:** design for plastic particle, granular fertilizer, feeds and other granular material.
- **Easy dismounting:** module design of measuring hopper for easy cleaning.
- **Parameter setting:** self-adjust function with target value set only
- **Stable performance:** servo motor controls feeding process
- **Weighing accurate:** weighing range is 5-25kg. Speed can reach 900 pcs/h and accuracy is ±10g.



Optional:



- SS304 stainless steel.



- User-friendly interface design, vivid display, easy to operate.

Specification

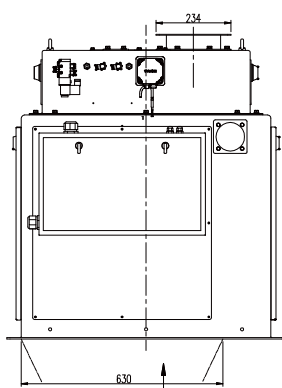
Model	PaxGo AF-25K
Weighing range	5~25Kg
Division	1g
Accuracy *	±10 g
Speed *	900pcs/h
Volume	55L
Feeding method	Feeding control by servo, pneumatic discharging
Material	SS304, carbon steel
I/O	8 output(5V), 8 input(24V)
Communication	RS485, Modbus TCP/IP
Pneumatic	0.4~0.6MPa
Power	Single Phase AC-220V ±10%, 50/60HZ
Working environment	0~40°C, 90%R.H condensation is not allowed

* Testing material: plastic particle, speed: 900pcs/h, accuracy: ±10 g

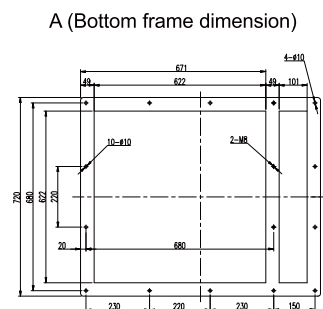
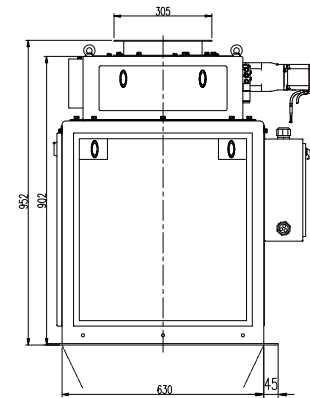
* Normally, the diameter of the testing material 1-5mm

Structure & Dimension

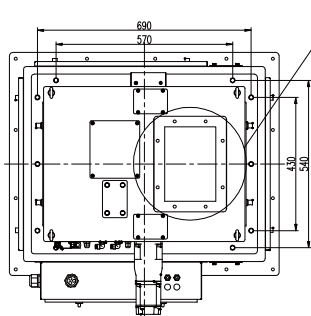
Unit: mm



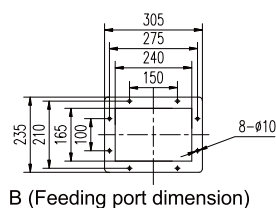
A (Bottom frame dimension)



A (Bottom frame dimension)



B (Feeding port dimension)



B (Feeding port dimension)

GRANULE PACKING FILLER AF-10K



0.5-10kg

Weighing range



Stable
Performance



Easy
Installation

±3g

Accuracy



Servo Motor
Control



Weighing
Accurate

900₊ Pcs/h

Speed

Features:

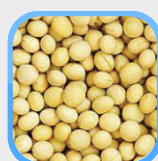
- **Granular material**: design for rice, millet, beans and other granular material;
- **Easy dismounting**: module design of measuring hopper for easy cleaning;
- **Parameter setting**: self-adjust function with target value set only;
- **Stable performance**: servo motor controls feeding process;
- **Weighing accurate**: weighing range is 0.5-10kg. Speed can reach 900pcs/h and accuracy is ±3g.

Optional:



10-inch touch screen

User-friendly interface design,
vivid display, easy to operate.



Specification

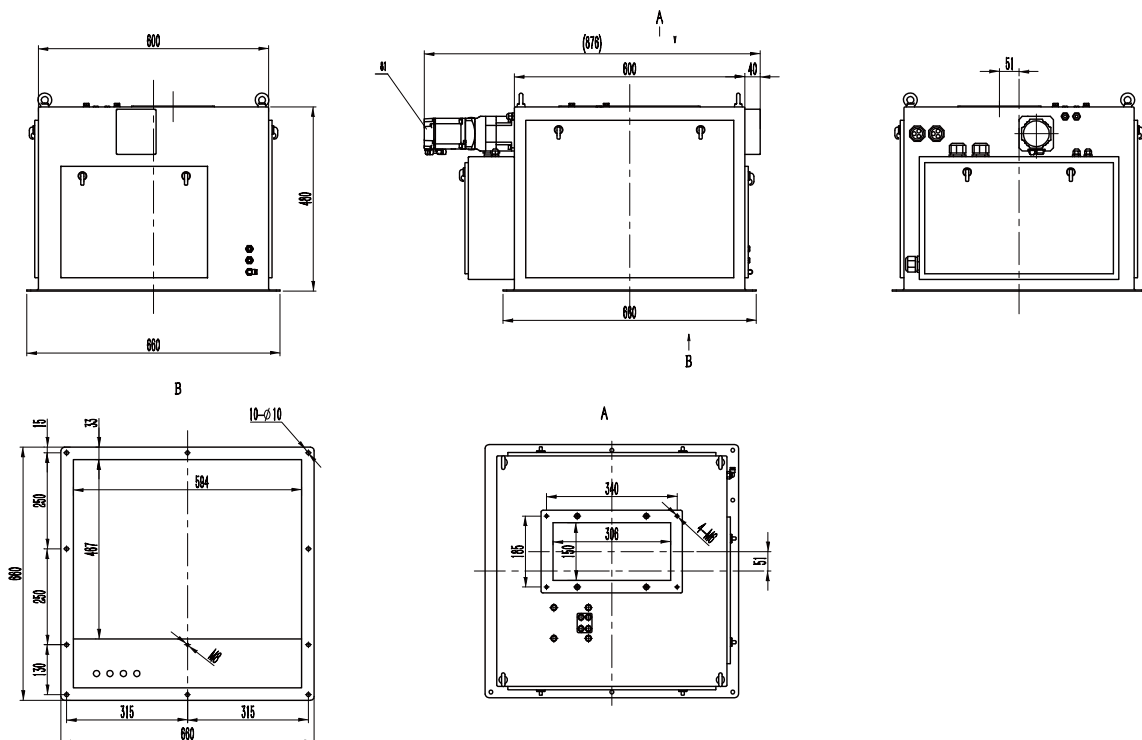
Model	PaxGo AF-10K
Weighing range	0.5~10Kg
Division	1g
Accuracy *	±3 g
Speed *	900pcs/h
Volume	15L
Feeding method	Servo motor + feeding vibrator, pneumatic discharging
Material	SS304, carbon steel
I/O	8 output(5V), 8 input(24V)
Communication	RS485, Modbus TCP/IP
Pneumatic	0.4~0.6MPa
Power	Single Phase AC-220V ±10%, 50/60HZ
Working environment	0~40°C, 90%R.H condensation is not allowed

* Testing material: rice, speed: 900pcs/h, accuracy: ±3 g

* Normally, the diameter of the testing material 1-5mm

Structure & Dimension

Unit: mm



GRANULE PACKING FILLER AF-05K



0.25-5kg

Weighing range



Stable
Performance



Easy
Installation

±2g

Accuracy



Servo Motor
Control



Weighing
Accurate

1000+Pcs/h

Speed

Features:

- **Granular material:** design for rice, millet, beans and other granular material;
- **Easy dismantling:** module design of measuring hopper for easy cleaning;
- **Parameter setting:** self-adjust function with target value set only;
- **Stable performance:** servo motor controls feeding process;
- **Weighing accurate:** weighing range is 0.25-5kg. Speed can reach 1000 pcs/h and accuracy is ±2g.



- User-friendly interface design, vivid display, easy to operate.



Specification

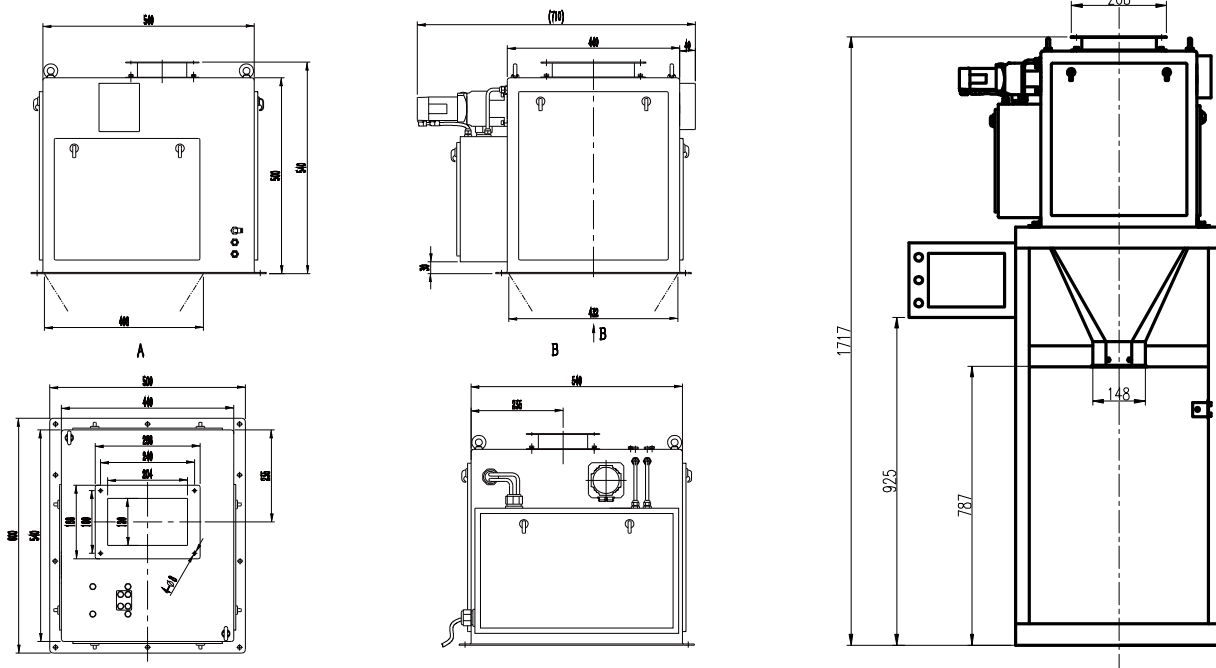
Model	PaxGo AF-05K
Weighing range	0.25~5Kg
Division	1g
Accuracy *	±2 g
Speed *	1000pcs/h
Volume	11L
Feeding method	Servo motor+feeding vibrator, pneumatic discharging
Material	SS304, carbon steel
I/O	8 output(5V), 8 input(24V)
Communication	RS485, Modbus TCP/IP
Pneumatic	0.4~0.6MPa
Power	Single Phase AC-220V ±10%, 50/60HZ
Working environment	0~40°C, 90%R.H condensation is not allowed

* Testing material: rice, speed: 1000pcs/h, accuracy: ±2 g

* Normally, the diameter of the testing material 1-5mm

Structure & Dimension

Unit: mm



ENTERPRISE PROFILE



30⁺
years
Industry Experience



40⁺
Country Sales



100⁺
R&D Patent



2000⁺
Application of the scene

General Measure established in 1993, as one of China's earliest industrial weighing company who is also a national high-tech enterprise, has over 50 people in the R&D team. For 28 years, we have been committed to improving the automatic process of industrial weighing and the precision of weighing control.

In 2003, we began to open the overseas market. Since 2006, General Measure dominated the high-end market and occupying more than 25% of the market in China. To expand the global business scale, we have been focusing on overseas markets since 2012. It has been seen that the average sales growth is above 30% every year.

We will continue to provide reliable industrial weighing indicators and equipment with excellent performance and weighing solutions with innovative value to our partners. Listening, Innovating, and growing together is our value, which guides us to achieve win-win cooperation by helping clients achieve their goals.

Combining cutting-edge technology to disrupting the industry status-quo, making weighing more accessible.



Global Clients 2000+

ZOOMLION

prompt
We Promise. We Deliver.

CONCH

DIGITAL
SCALE

FAMSUN
牧羊丰尚

muyuan 牧原

PESAR
PRECISION GROUP

altus

中国邮政
CHINA POST

wilmar

Amul

BCI
INGENIERIA